

1 2 3 4 5 6 7

A

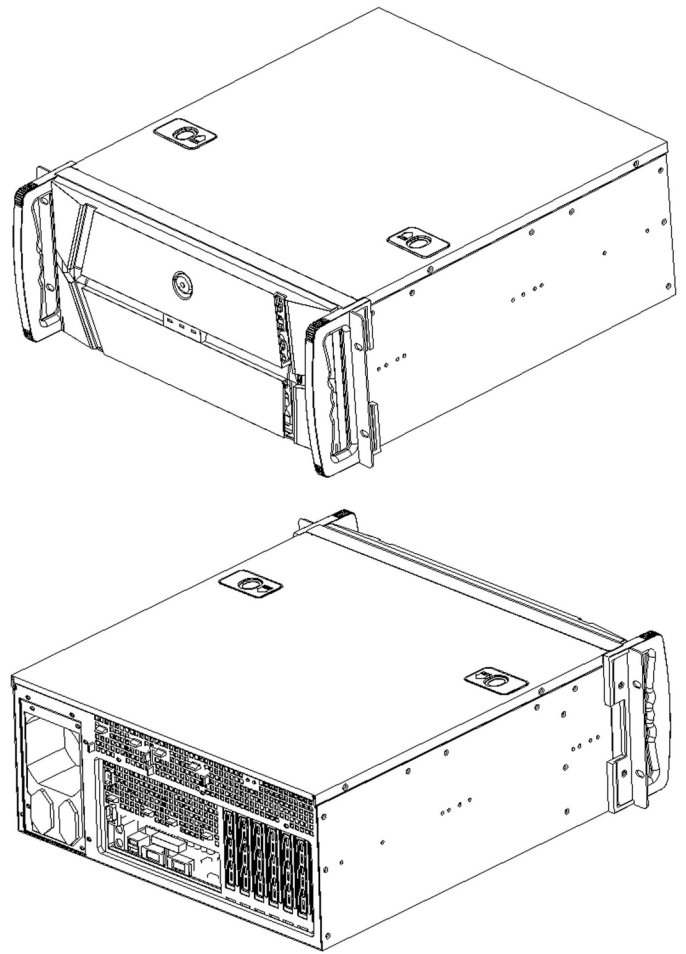
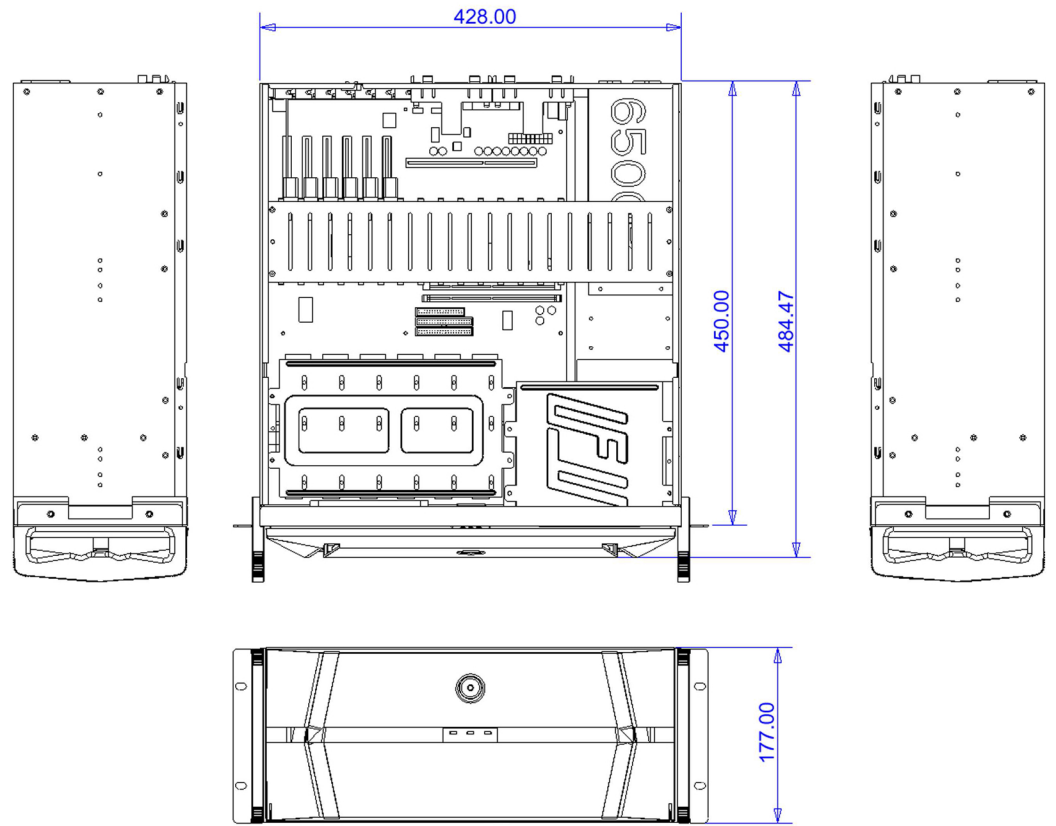
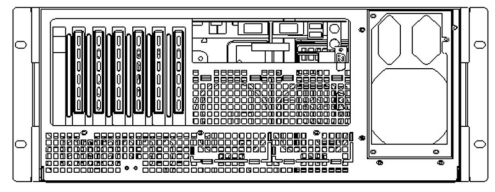
B

C

D

E

REVISIONS		修訂	REVISIONS	日期	DATE
版次	REV.	記錄	DESCRIPTION		



容許公差: TOLERANCES:	.XXX ±.025 .XX ±.100 .X ±.250	材料規格: MATERIAL:	SGCC sheet metal at 1.2mm~2.0mm		品名: MODEL NO:	4U black enterprise server chassis	
核准者: APPROVE BY:	Robert Roan	日期: DATE:	April 29, 2018		料號: PART NO:	E450E	
審核者: CHECK BY:	Jun Chen	日期: DATE:	April 29, 2018		圖號: DRAW NO:	檔號: FILE NO:	E450E-20180429
繪圖者: DRAW BY:	Veness Huang	日期: DATE:	April 29, 2018		單位: UNITS:	版次: REV. NO:	0.0
投影法: PROJECTION:	第三角法				規格: SPEC.:	編號: SHEET:	OF